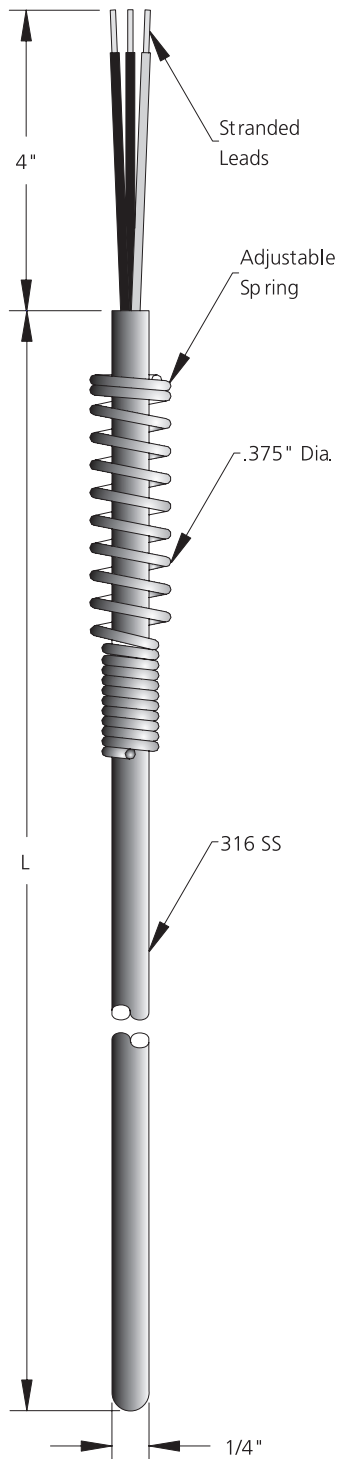


Rtd Process Style Class 120M – Moderate Temp Range

Spring Loaded Rtd

1/4", ADJUSTABLE SPRING LOADED, FOR THERMOWELL APPLICATIONS



120 Rtd Process Style, Spring Loaded, Adjustable Spring Loaded General Purpose							
	Code	Temperature Range					
	M	Moderate Temp Range = -50 to 250C (-58 to 482F)					
		Code	Accuracy				
		P2A	Platinum, 100 Ohms ±.06%, .00385 Temperature Coefficient				
		P2B	Platinum, 100 Ohms ±.12%, .00385 Temperature Coefficient				
	P2C	Platinum, 100 Ohms ±.5%, .00385 Temperature Coefficient					
		Code	Element Configuration				
		3S	Three Wire Single (color code: red(2)/white)				
		4S	Four Wire Single (color code: red(2)/white(2))				
		3D	Three Wire Dual (color code: white/red(2)/black/green(2))				
	Code	'L' Sheath Length					
	000	Specify in inches (example: 095 = 9.5 inches) Note: Minimum 1.5" and Maximum 36"					
	Code	Additional Options					
	N	No Options					
	W	Leadwire Options					
120	M					Enter Desired Part Number	
120	M	P2B	3S	095	W	Example Part Number	

See Leadwire Configuration Section for Lead Options

Typical Catalog number with leadwire options.		
120MP2B3S095W	/	670060C004A
Catalog Number		Leadwire Option Code

