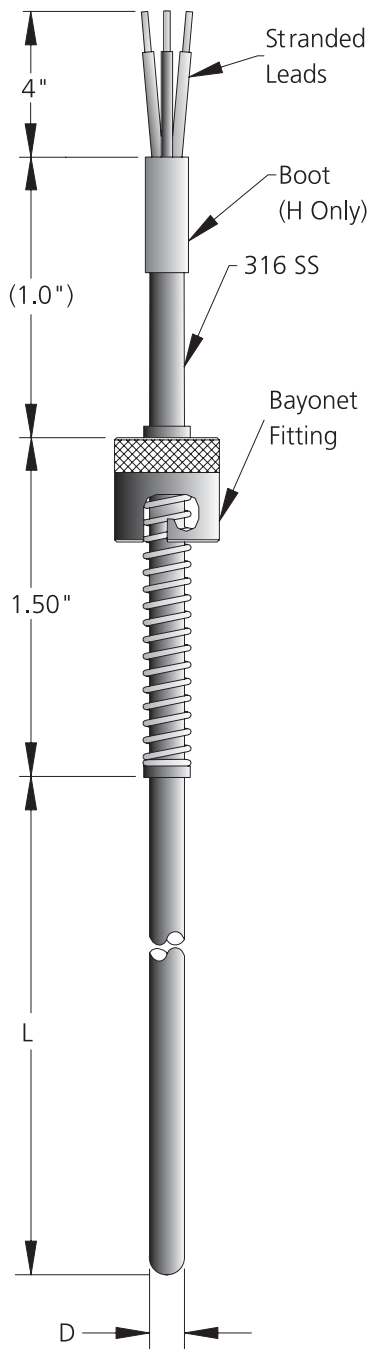


Rtd Process Style Class 122 – Moderate, High and Full Temp Range

Spring Loaded Rtd BAYONET FITTING



122 Rtd Process Style, Spring Loaded, Bayonet Fitting							
Code	Temperature Range						
M	Moderate Temp Range = -50 to 250C (-58 to 482F)						
H	High Temp Range = -50 to 500C (-58 to 932F)						
F	Full Temp Range = -200 to 500C (-328 to 932F)						
Code	Accuracy						
P2A	Platinum, 100 Ohms ±.06%, .00385 Temperature Coefficient						
P2B	Platinum, 100 Ohms ±.12%, .00385 Temperature Coefficient						
P2C	Platinum, 100 Ohms ±.5%, .00385 Temperature Coefficient						
Code	Element Configuration						
3S	Three Wire Single (color code: red(2)/white)						
4S	Four Wire Single (color code: red(2)/white(2))						
3D	Three Wire Dual (color code: white/red(2)/green/black(2))						
Code	'D' Sheath Diameter						
A	1/8" Diameter						
B	3/16" Diameter						
Code	'L' Immersion Length						
000	Specify in inches (example: 095 = 9.5 inches) Note: Minimum 1.5" and Maximum 33"						
Code	Additional Options						
N	No Options						
A	1/8" NPT Mounting Adaptor Options						
W	Leadwire Options						
122	M					Enter Desired Part Number Here	
122	M	P2B	3S	B	095	W	Example Part Number



1/8" NPT Mounting Adaptor Option

