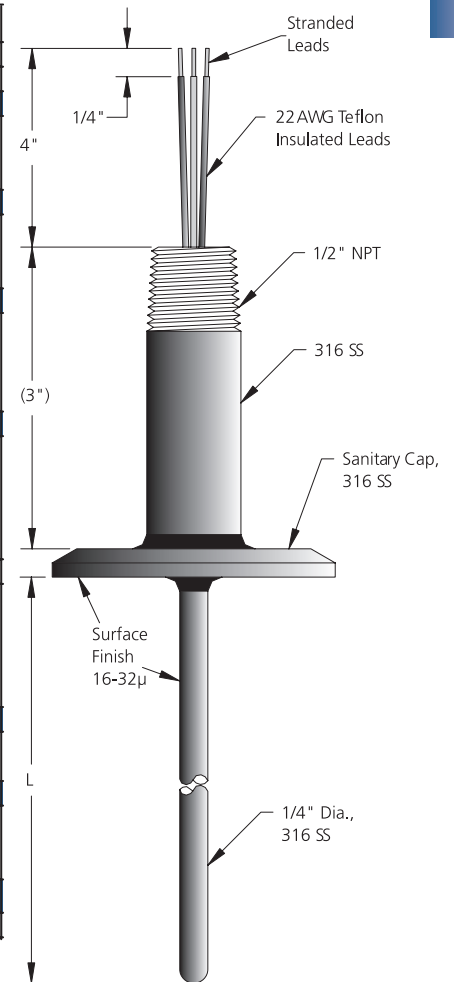


Rtd Process Style Class 150M – Moderate Temp Range

Sanitary Rtd 1/4" SHEATH

RTDS

150		Sanitary Rtd, 1/4" Sheath							
Code	Element Configuration								
M	Moderate Temp Range = -50 to 250C (-58 to 482F)								
Code	Accuracy								
P2A	Platinum, 100 Ohms ±.06%, .00385 Temperature Coefficient								
P2B	Platinum, 100 Ohms ±.12%, .00385 Temperature Coefficient								
P2C	Platinum, 100 Ohms ±.5%, .00385 Temperature Coefficient								
Code	Element Configuration								
3S	Three Wire Single (color code: white/red(2))								
4S	Four Wire Single (color code: red(2)/white(2))								
3D	Three Wire Dual (color code: white/red(2)/Black/Green(2))								
Code	Cap Style								
A	16 AMP								
B	16 A								
C	16 AI								
D	16 APV								
Code	Cap (Tube) Size								
10	1.0 inch								
15	1.5 inches								
20	2.0 inches								
25	2.5 inches								
30	3.0 inches								
Code	Connection Head								
N	No Connection Head								
A	Stainless Steel								
C	Polypropylene								
E	Explosion Proof Stainless Steel								
G	Small Stainless Steel								
Code	'L' Immersion Length								
000	Specify in inches (example: 035 = 3.5") Note: Minimum 2" and Maximum 36"								
Code	Additional Options								
N	No Options								
T	Transmitter								
W	Leadwire Options								
150	M								Enter Desired Part Number Here
150	M	P2A	3S	A	15	A	065	T	Example Part Number



See Leadwire Configuration Section for Lead Options

Typical Catalog number with leadwire options.

150MP2B3SA20N065W	/	670060B004A
Catalog Number		Leadwire Option Code

