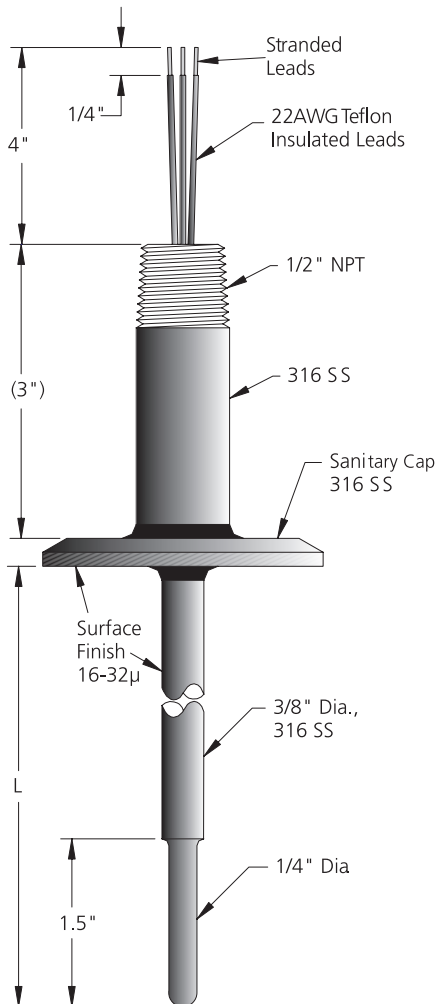


Rtd Process Style Class 151M – Moderate Temp Range

Sanitary Rtd 3/8" TO 1/4" SHEATH



151		Sanitary Rtd, 3/8" to 1/4" Sheath					
Code	Element Configuration						
M	Moderate Temp Range = -50 to 250C (-58 to 482F)						
Code	Accuracy						
P2A	Platinum, 100 Ohms ±.06%, .00385 Temperature Coefficient						
P2B	Platinum, 100 Ohms ±.12%, .00385 Temperature Coefficient						
P2C	Platinum, 100 Ohms ±.5%, .00385 Temperature Coefficient						
Code	Element Configuration						
3S	Three Wire Single (color code: white/red(2))						
4S	Four Wire Single (color code: red(2)/white(2))						
3D	Three Wire Dual (color code: white/red(2)/black/green(2))						
Code	Cap Style						
A	16 AMP						
B	16 A						
C	16 AI						
D	16 APV						
Code	Cap (Tube) Size						
10	1.0 inch						
15	1.5 inches						
20	2.0 inches						
25	2.5 inches						
30	3.0 inches						
Code	Connection Head						
N	No Connection Head						
A	Stainless Steel						
C	Polypropylene						
E	Explosion Proof Stainless Steel						
G	Small Stainless Steel						
Code	'L' Immersion Length						
000	Specify in inches (example:030 = 3.0 inches) Note: Minimum 2" and Maximum 36"						
Code	Additional Options						
N	No Options						
T	Transmitter						
W	Leadwire Options						
151	M						Enter Desired Part Number Here
151	M	P2B	3S	A	15	A	035 T Example Part Number

See Leadwire Configuration Section for Lead Options

Typical Catalog number with leadwire options.	
151MP2A4SA25N035W	/ 670035C004B
Catalog Number	Leadwire Option Code

