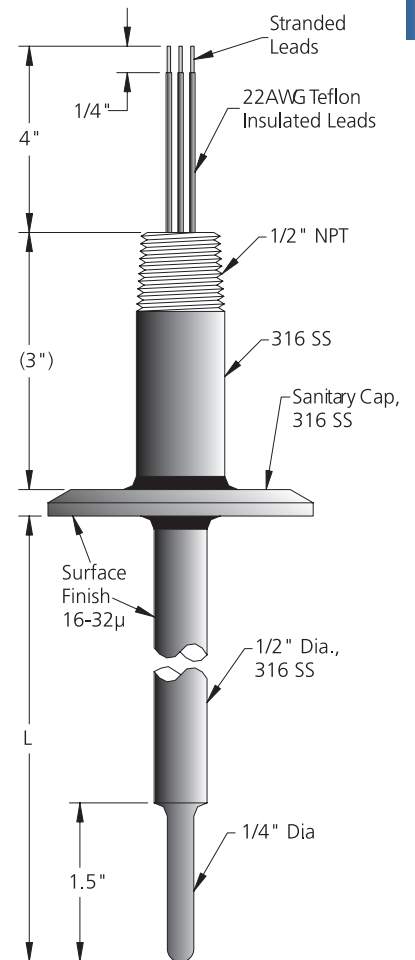


Rtd Process Style Class 152M – Moderate Temp Range

HTST Sanitary Rtd, For use in Pasturization Processes 1/2" TO 1/4" SHEATH, 3.5 SECOND TIME RESPONSE MAXIMUM

152 HTST Sanitary Rtd, 1/2" to 1/4" Sheath									
Code		Element Configuration							
M		Moderate Temp Range = -50 to 250C (-58 to 482F)							
Code		Accuracy							
P2A		Platinum, 100 Ohms ±.06%, .00385 Temperature Coefficient							
P2B		Platinum, 100 Ohms ±.12%, .00385 Temperature Coefficient							
P2C		Platinum, 100 Ohms ±.5%, .00385 Temperature Coefficient							
Code		Element Configuration							
3S		Three Wire Single (color code: white/red(2))							
4S		Four Wire Single (color code: red(2)/white(2))							
3D		Three Wire Dual (color code: white/red(2)/black/green(2))							
Code		Cap Style							
A		16 AMP							
B		16 A							
C		16 AI							
D		16 APV							
Code		Cap (Tube) Size							
10		1.0 inch							
15		1.5 inches							
20		2.0 inches							
25		2.5 inches							
30		3.0 inches							
Code		Connection Head							
N		No Connection Head							
A		Stainless Steel							
C		Polypropylene							
E		Explosion Proof Stainless Steel							
G		Small Stainless Steel							
Code		'L' Immersion Length							
000		Specify in inches (example:015 = 1.5 inches) Minimum 2" and Maximum 36"							
Code		Additional Options							
N		No Options							
T		Transmitter							
W		Leadwire Options							
152	M								Enter Desired Part Number Here
152	M	P2B	3S	A	15	S	035	N	Example Part Number



See Leadwire Configuration Section for Lead Options		
Typical Catalog number with leadwire options.		
152MP2B3SA20N065W	/	670120C004H
Catalog Number		Leadwire Option Code

