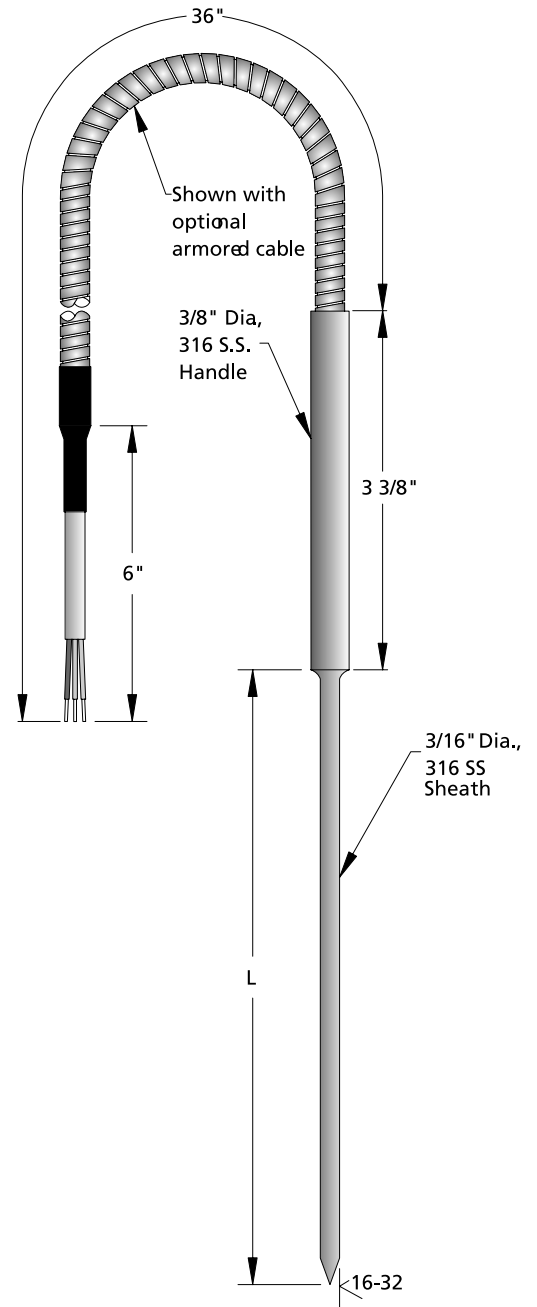


## RTD Process Style Class 158M – Moderate Temp Range

### Sanitary Rtd MEAT PROBE WITH STRAIGHT HANDLE

158 Sanitary Rtd, Meat Probe						
Code	Temperature Range					
M	Moderate Temp Range = -50 to 250C (-58 to 482F)					
Code	Accuracy					
P2A	Platinum, 100 Ohms ±.06%, .00385 Temperature Coefficient					
P2B	Platinum, 100 Ohms ±.12%, .00385 Temperature Coefficient					
Code	Element Configuration					
3S	Three Wire Single (color code: red(2)/white)					
4S	Four Wire Single (color code: red(2)/white(2))					
Code	'L' Sheath Length					
000	Specify in Inches (example: 125 12.5") Minimum 2" and Maximum 18"					
Code	Additional Options					
N	No Options					
W	Leadwire Options					
158	M				Enter Desired Part Number Here	
158	M	P2B	3S	065	W	Example Part Number



See Leadwire Configuration Section for Lead Options		
Typical Catalog number with leadwire options.		
158MP2B3S175W	/	670036G003A
Catalog Number		Leadwire Option Code



Process Surface Finish is 16-32 Microinches.