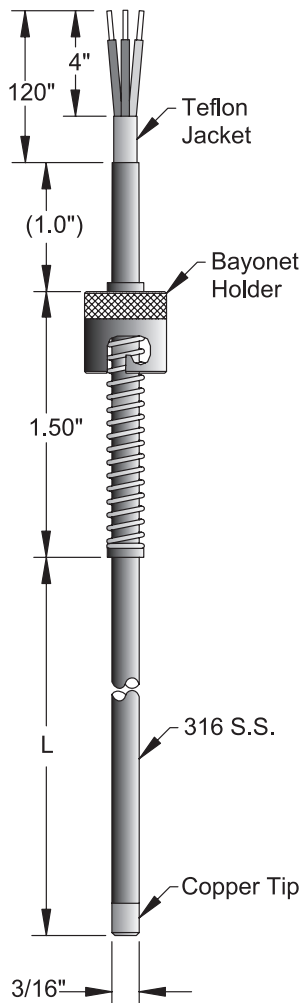


Rtd Motor/Generator Style Class 312

Bearing Rtd, Tip Sensitive BAYONET HOLDER



312 Bearing Rtd, Bayonet Holder						
Code		Sheath Configuration and Temperature Range				
A		Insulated Epoxy Glass Sheath, Copper Alloy Tip, -50 to 155C (-58 to 311F)				
B		Standard 316 Stainless Steel Sheath, Copper Alloy Tip, -50 to 250C (-58 to 482F)				
C		Isolated 316 Stainless Steel Sheath, Copper Alloy Tip, -50 to 250C (-58 to 482F)				
Code		Accuracy				
P2B		Platinum, 100 Ohm +/- .12% at 0C, .00385 temperature coefficient				
P2C		Platinum, 100 Ohm +/- .5% at 0C, .00385 temperature coefficient				
C1D		Copper, 10 Ohm +/- .2% at 25C, .00427 temperature coefficient				
N3C		Nickel, 120 Ohm +/- .5% at 0C, .00672 temperature coefficient				
Code		Element Configuration				
3S		Three Wire Single (color code: red/white(2))				
Code		'L' Sheath Length				
000		Specify in Inches (example: 125 = 12.5 inches) Minimum 1.5" and Maximum 34"				
Code		Additional Options				
N		No Options				
A		1/8" NPT Mounting Adaptor Option				
B		Leadwire Options				
312 Enter Desired Part Number Here						
312	B	P2C	3S	125	W	Example Part Number

See Leadwire Configuration Section for Lead Options

Typical Catalog number with leadwire options.

312AP2C3S125W	/	670120C010H
Catalog Number		Leadwire Option Code

1/8" NPT Mounting Adaptor Option

