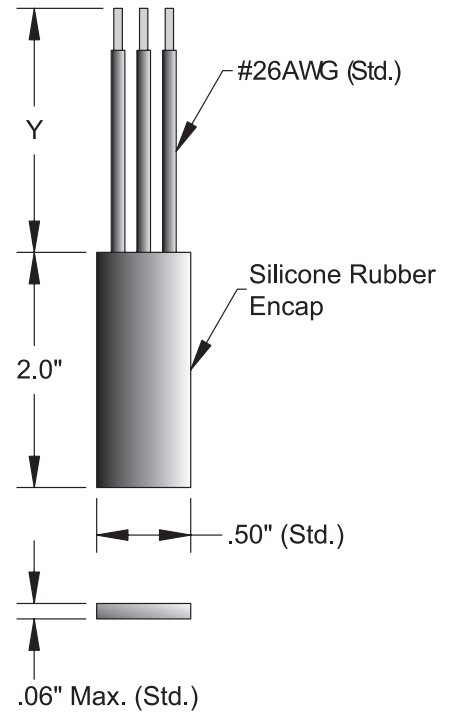


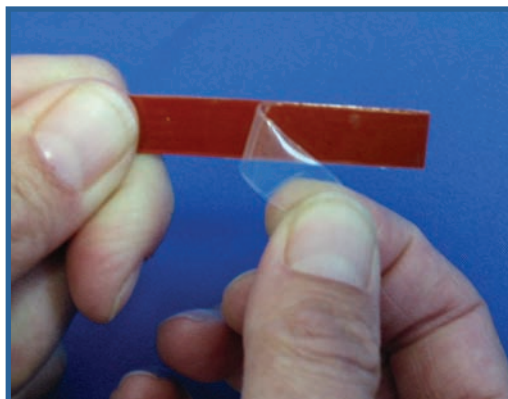
Rtd Motor/Generator Style Class 320M – Moderate Temp Range

Surface Mount Rtd SILICONE RUBBER

320		Surface Mount Rtd, Silicone Rubber					
Code	Temperature Range						
M	Moderate Temp Range = -50 to 250C (-58 to 482F)						
Code	Accuracy						
P2C	Platinum, 100 Ohm +/--.5% at 0C, .00385 temperature coefficient						
G2C	Platinum, 100 Ohm +/--.5% at 0C, .003916 temperature coefficient						
C1C	Copper, 10 Ohm +/--.5% at 25C, .00427 temperature coefficient						
N3C	Nickel, 120 Ohm +/--.5% at 0C, .00672 temperature coefficient						
Code	Element Configuration						
A	Two Wire Single (color code: red/white)						
B	Three Wire Single (color code: red/white(2))						
C	Four Wire Single (color code: red(2)/white(2))						
Code	'Y' Leadwire Length						
000	Specify in Inches (example: 012 = 12 inches)						
Code	Leadwire Material						
A	Teflon (Standard)						
B	Silicone						
Code	Mounting Option						
1	Standard, No Adhesive						
2	Adhesive Backing						
320	M					Enter Desired Part Number Here	
320	M	G2C	A	006	A	1	Example Part Number



Motors



Adhesive Back option offers ease of mounting.