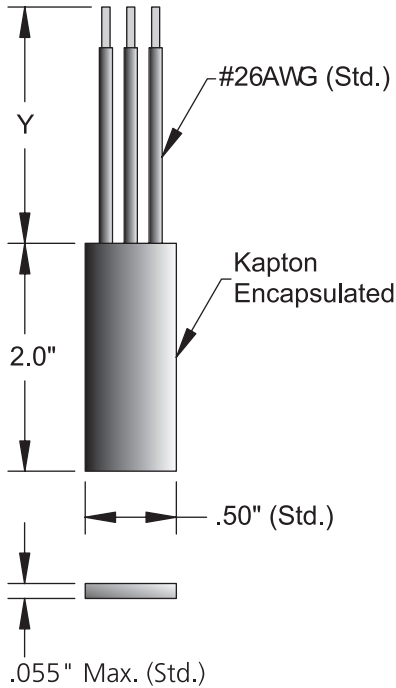
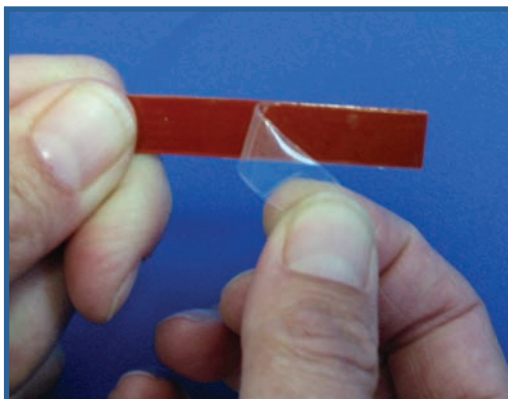


## Rtd Motor/Generator Style Class 321M – Moderate Temp Range

### Surface Mount Rtd KAPTON



321		Surface Mount Rtd, Kapton				
	<b>Code</b>	<b>Temperature Range</b>				
	<b>M</b>	Moderate Temp Range = -50 to 250C (-58 to 482F)				
	<b>Code</b>	<b>Accuracy</b>				
	P2C	Platinum, 100 Ohm +/- .5% at 0C, .00385 temperature coefficient				
	G2C	Platinum, 100 Ohm +/- .5% at 0C, .003916 temperature coefficient				
	C1C	Copper, 10 Ohm +/- .5% at 25C, .00427 temperature coefficient				
	N3C	Nickel, 120 Ohm +/- .5% at 0C, .00672 temperature coefficient				
	<b>Code</b>	<b>Element Configuration</b>				
	A	Two Wire Single (color code: red/white)				
	B	Three Wire Single (color code: red/white(2))				
	C	Four Wire Single (color code: red(2)/white(2))				
	<b>Code</b>	<b>'Y' Leadwire Length</b>				
	000	Specify in Inches (example: 012 = 12 inches)				
	<b>Code</b>	<b>Mounting Option</b>				
	1	Standard, No Adhesive				
	2	Adhesive Backing				
<b>321</b>	<b>M</b>					<b>Enter Desired Part Number Here</b>
321	M	G2C	A	006	1	Example Part Number



Adhesive Back option offers ease of mounting.