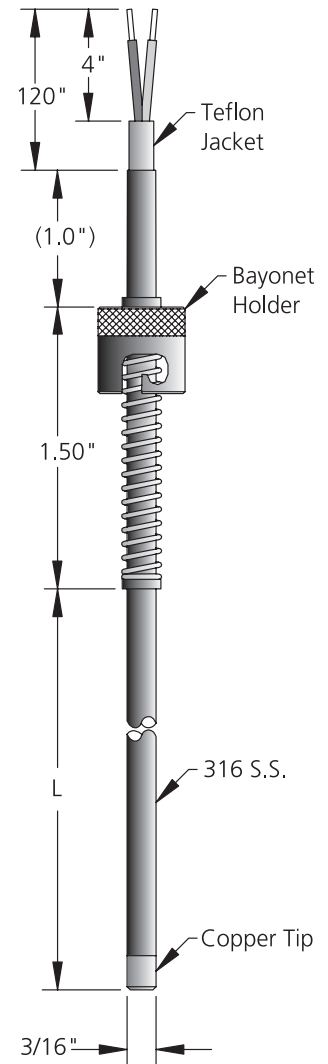


## T.C. Motor/Generator Class 412

### Bearing Thermocouple, Tip Sensitive BAYONET HOLDER

| 412 Bearing Thermocouple, Bayonet Holder |  |         |                       |     |   |   |                     |
|--|--|---------|-----------------------|-----|---|---|---------------------|
| Code                                     | Sheath Configuration and Temperature Range                                       |         |                       |     |   |   |                     |
| A  | Insulated Epoxy Glass Sheath, Copper Alloy Tip, -50 to 155C (-58 to 311F)        |         |                       |     |   |   |                     |
| B  | Standard 316 Stainless Steel Sheath, Copper Alloy Tip, -50 to 250C (-58 to 482F) |         |                       |     |   |   |                     |
| C  | Isolated 316 Stainless Steel Sheath, Copper Alloy Tip, -50 to 250C (-58 to 482F) |         |                       |     |   |   |                     |
| Code                                     | Thermocouple Configuration   |         |                       |     |   |   |                     |
|  | Type   | Element | Color Code            |     |   |   |                     |
| J  | J  | Single  | red/white             |     |   |   |                     |
| K  | K  | Single  | red/yellow            |     |   |   |                     |
| T  | T  | Single  | red/blue              |     |   |   |                     |
| E  | E  | Single  | red/purple            |     |   |   |                     |
| JJ                                       | J  | Dual    | red/white/red/white   |     |   |   |                     |
| KK                                       | K  | Dual    | red/yellow/red/yellow |     |   |   |                     |
| TT                                       | T  | Dual    | red/blue/red/blue     |     |   |   |                     |
| EE                                       | E  | Dual    | red/purple/red/purple |     |   |   |                     |
| Code                                     | Junction Style   |         |                       |     |   |   |                     |
| G  | Grounded Junction  |         |                       |     |   |   |                     |
| U  | Ungrounded Junction  |         |                       |     |   |   |                     |
| Code                                     | 'L' Sheath Length  |         |                       |     |   |   |                     |
| 000                                      | Specify in Inches (example: 115 = 11.5 inches)<br>Minimum 1.5" and Maximum 34"   |         |                       |     |   |   |                     |
| Code                                     | Limits of Error  |         |                       |     |   |   |                     |
| A  | Standard Limits of Error   |         |                       |     |   |   |                     |
| B  | Special Limits of Error  |         |                       |     |   |   |                     |
| Code                                     | Additional Options   |         |                       |     |   |   |                     |
| N  | No Options   |         |                       |     |   |   |                     |
| A  | 1/8" NPT Mounting Adaptor Option   |         |                       |     |   |   |                     |
| W  | Leadwire Options   |         |                       |     |   |   |                     |
| 412                                      | Enter Desired Part Number Here   |         |                       |     |   |   |                     |
| 412                                      | B  | K       | G                     | 115 | A | W | Example Part Number |



Motors

| See Leadwire Configuration Section for Lead Options |   |                      |
|---|---|----------------------|
| Typical Catalog number with leadwire options.       |   |                      |
| 412BKGA115B2CW                                      | / | 671A020C010A         |
| Catalog Number                                      |   | Leadwire Option Code |

#### 1/8" NPT Mounting Adaptor Option

