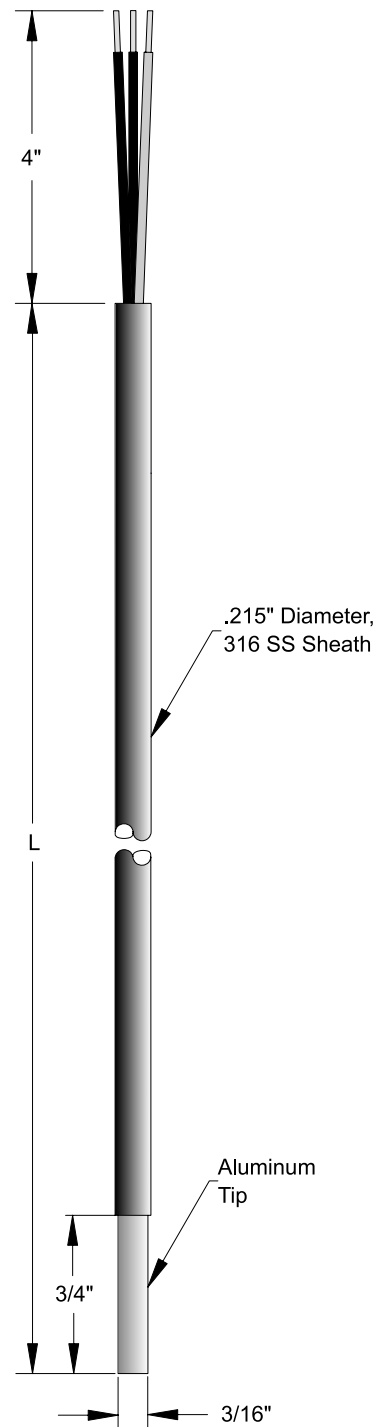


HVAC Rtd's Class 500M – Moderate Temp Range

Point Sensing Rtd RIGID GENERAL PURPOSE

500 HVAC Rtd, Point Sensing, Rigid General Purpose						
Code		Temperature Range				
M		Moderate Temp Range = -50 to 250C (-58 to 482F)				
Code		Accuracy				
P2A		Platinum, 100 Ohms ±.06%, .00385 temperature coefficient				
P2B		Platinum, 100 Ohms ±.12%, .00385 temperature coefficient				
P2C		Platinum, 100 Ohms ±.5%, .00385 temperature coefficient				
Code		Element Configuration				
2S		Two Wire Single (color code: red/white)				
3S		Three Wire Single (color code: red(2)/white)				
4S		Four Wire Single (color code: red(2)/white(2))				
Code		'L' Sheath Length				
000		Specify in Inches (example: 125 = 12.5 inches) Minimum 1.5" and Maximum 72"				
Code		Additional Options				
N		No Options				
W		Leadwire Options				
500	M				Enter Desired Part Number Here	
500	M	P2B	3S	095	W	Example Part Number

See Leadwire Configuration Section for Lead Options		
Typical Catalog number with leadwire options.		
500MP2B3S125W	/	670000A004A
Catalog Number		Leadwire Option Code



HVAC