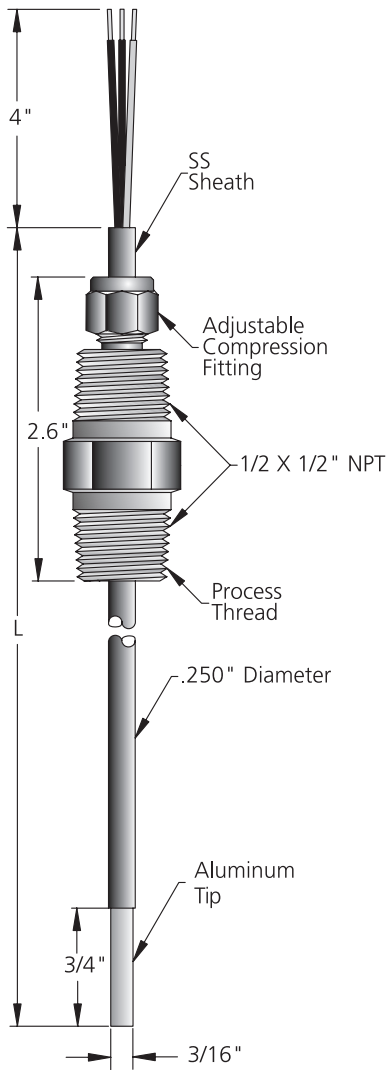


## HVAC Rtd's Class 501M – Moderate Temp Range

### Point Sensing Rtd

1/2 X 1/2 NPT ADJUSTABLE COMPRESSION FITTING ON RIGID GENERAL PURPOSE RTD



501 HVAC Rtd, Point Sensing, 1/2 X 1/2" NPT Adjustable Compression Fitting							
Code	Temperature Range						
M	Moderate Temp Range = -50 to 250C (-58 to 482F)						
Code	Accuracy						
P2A	Platinum, 100 Ohms ±.06%, .00385 Temperature Coefficient						
P2B	Platinum, 100 Ohms ±.12%, .00385 Temperature Coefficient						
P2C	Platinum, 100 Ohms ±.5%, .00385 Temperature Coefficient						
Code	Element Configuration						
2S	Two Wire Single (color code: red/white)						
3S	Three Wire Single (color code: red(2)/white)						
4S	Four Wire Single (color code: red(2)/white(2))						
Code	'L' Sheath Length						
000	Specify in inches (example: 125 = 12.5 inches) Note: Minimum 1.5" and Maximum 72"						
Code	Connection Head						
N	No Connection Head						
A	Stainless Steel						
B	Aluminum						
C	Polypropylene						
D	Cast Iron						
G	Small Stainless Steel						
J	Quick Release Aluminum						
Code	Additional Options						
N	No Options						
W	Leadwire Options						
501	M					Enter Desired Part Number Here	
501	M	P2B	3S	125	N	W	Example Part Number

#### See Leadwire Configuration Section for Lead Options

Typical Catalog number with leadwire options.

501MP2B3S145W

/

670000A004A

Catalog Number

Transmitter Option Code