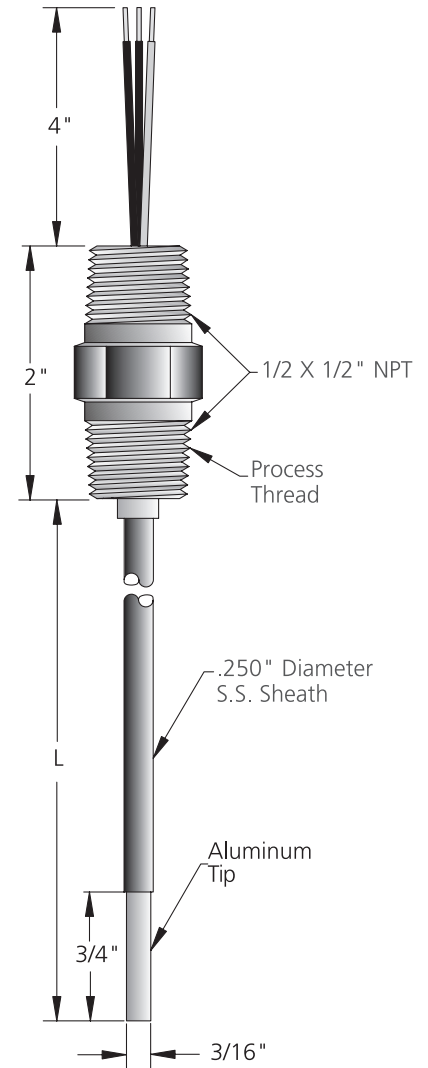


HVAC Rtd's Class 502M – Moderate Temp Range

Point Sensing Rtd

CRIMPED TWIN THREADED HEX FITTING ON RIGID GENERAL PURPOSE RTD

502 HVAC Rtd, Point Sensing, Crimped Twin Threaded Hex Fitting							
Code		Temperature Range					
M		Moderate Temp Range = -50 to 250C (-58 to 482F)					
Code		Accuracy					
P2A		Platinum, 100 Ohms ±.06%, .00385 Temperature Coefficient					
P2B		Platinum, 100 Ohms ±.12%, .00385 Temperature Coefficient					
P2C		Platinum, 100 Ohms ±.5%, .00385 Temperature Coefficient					
Code		Element Configuration					
2S		Two Wire Single (color code: red/white)					
3S		Three Wire Single (color code: red(2)/white)					
4S		Four Wire Single (color code: red(2)/white(2))					
Code		Connection Head					
N		No Connection Head					
A		Stainless Steel					
B		Aluminum					
C		Polypropylene					
D		Cast Iron					
G		Small Stainless Steel					
J		Quick Release Aluminum					
Code		'L' Sheath Length					
000		Specify in Inches (example: 125 = 12.5 inches) Minimum 1.5" and Maximum 72"					
Code		Additional Options					
N		No Options					
W		Leadwire Options					
502	M					Enter Desired Part Number Here	
502	M	P2B	3S	B	125	W	Example Part Number



See Leadwire Configuration Section for Lead Options		
Typical Catalog number with leadwire options.		
502MP2B3SN125W	/	670000A004A
Catalog Number		Leadwire Option Code