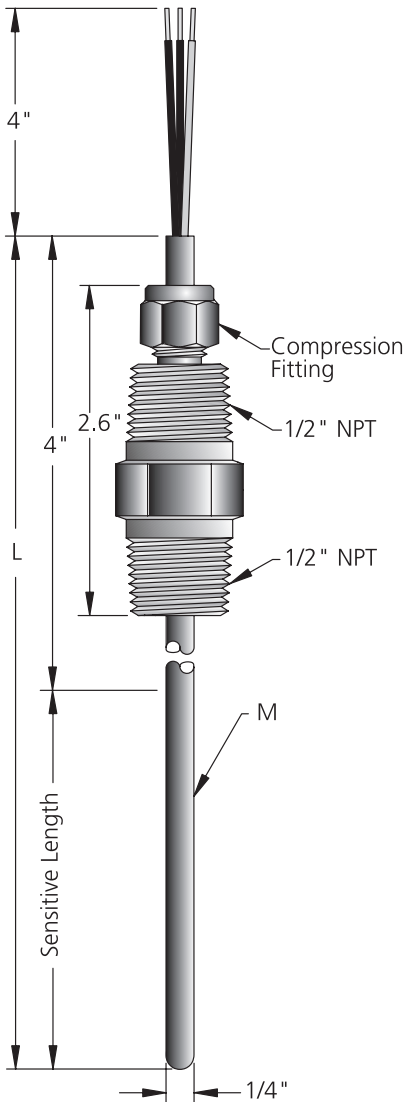


HVAC Rtd's Class 511M – Moderate Temp Range

Averaging Rtd

1/2 X 1/2" NPT ADJUSTABLE COMPRESSION FITTING ON A BENDABLE GENERAL PURPOSE RTD



511 HVAC Rtd, Averaging, 1/2 X 1/2" NPT Adjustable Compression Fitting								
Code		Temperature Range						
M		Moderate Temp Range = -50 to 250C (-58 to 482F)						
Code		Accuracy						
P2B		Platinum, 100 Ohms ±.12%, .00385 Temperature Coefficient						
P2C		Platinum, 100 Ohms ±.5%, .00385 Temperature Coefficient						
Code		Element Configuration						
2S		Two Wire Single (color code: red/white)						
3S		Three Wire Single (color code: red(2)/white)						
4S		Four Wire Single (color code: red(2)/white(2))						
Code		'L' Sheath Length						
0000		Specify in Inches (example: 1500 = 1500 inches) Minimum 6" and Maximum 1800"						
Code		Connection Head						
N		No Connection Head						
A		Stainless Steel						
B		Aluminum						
C		Polypropylene						
D		Cast Iron						
G		Small Stainless Steel						
Code		'M' Sheath Material						
A		316 Stainless Steel (50' Max. Length)						
B		Aluminum						
C		Copper						
Code		Additional Options						
N		No Options						
W		Leadwire Options						
511	M						Enter Desired Part Number Here	
511	M	P2B	3S	0120	B	A	W	Example Part Number

Sensitive Length = L - 4"

See Leadwire Configuration Section for Lead Options		
Typical Catalog number with leadwire options.		
511MP2B3S125NAW	/	670000A004A
Catalog Number		Leadwire Option Code