

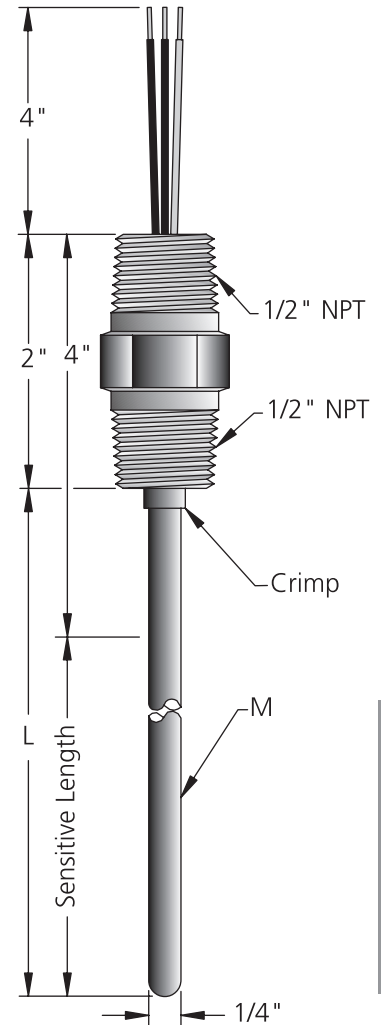
HVAC Rtd's Class 512M – Moderate Temp Range

Averaging Rtd

TWIN THREADED HEX FITTING ON BENDABLE GENERAL PURPOSE RTD

512	HVAC Rtd, Averaging, Twin Threaded Hex Fitting							
	Code	Temperature Range						
	M	Moderate Temp Range = -50 to 250C (-58 to 482F)						
		Code	Accuracy					
		P2B	Platinum, 100 Ohms ±.12%, .00385 Temperature Coefficient					
		P2C	Platinum, 100 Ohms ±.5%, .00385 Temperature Coefficient					
		Code	Element Configuration					
		2S	Two Wire Single (color code: red/white)					
		3S	Three Wire Single (color code: red(2)/white)					
		4S	Four Wire Single (color code: red(2)/white(2))					
		Code	Connection Head					
		N	No Connection Head					
		A	Stainless Steel					
		B	Aluminum					
		C	Polypropylene					
		D	Cast Iron					
		G	Small Stainless Steel					
		Code	'M' Sheath Material					
		A	316 Stainless Steel (50' Max. Length)					
		B	Aluminum					
		C	Copper					
		Code	'L' Sheath Length					
		0000	Specify in Inches (example: 1500 = 1500 inches) Minimum 6" and Maximum 1800"					
		Code	Additional Options					
		N	No Options					
		W	Leadwire Options					
512	M							Enter Desired Part Number Here
512	M	P2B	3S	B	B	0120	W	Example Part Number

Sensitive Length = L - 4"



HVAC

See Leadwire Configuration Section for Lead Options

Typical Catalog number with leadwire options.

512MP2B3SNA125W / 670000A004A

Catalog Number / Leadwire Option Code