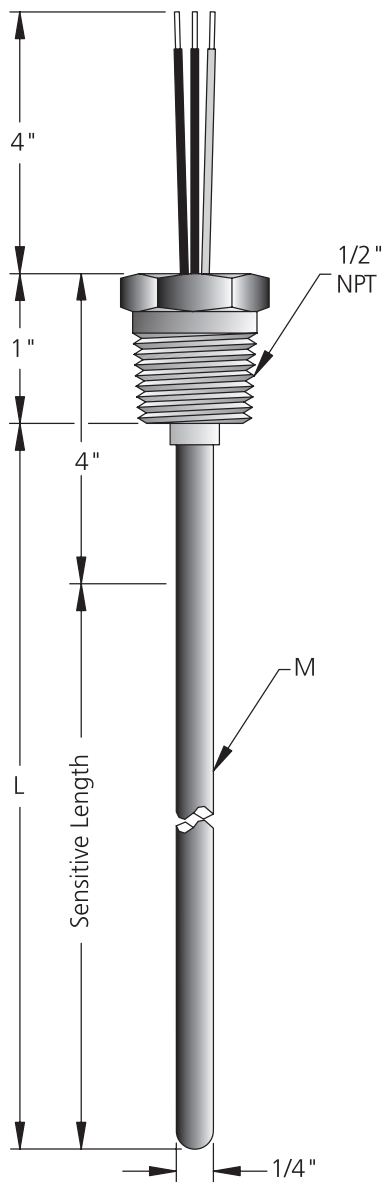


## HVAC Rtd's Class 513M – Moderate Temp Range

### Averaging Rtd

PROCESS THREADED HEX FITTING ON BENDABLE GENERAL PURPOSE RTD



513 HVAC Rtd, Averaging, Process Threaded Hex Fitting							
Code		Temperature Range					
M		Moderate Temp Range = -50 to 250C (-58 to 482F)					
Code		Accuracy					
P2B		Platinum, 100 Ohms ±.12%, .00385 Temperature Coefficient					
P2C		Platinum, 100 Ohms ±.5%, .00385 Temperature Coefficient					
Code		Element Configuration					
2S		Two Wire Single (color code: red/white)					
3S		Three Wire Single (color code: red(2)/white)					
4S		Four Wire Single (color code: red(2)/white(2))					
Code		'L' Sheath Length					
0000		Specify in Inches (example: '1500 = 1500 inches) Minimum 6" and Maximum 1800"					
Code		'M' Sheath Material					
A		316 Stainless Steel (50' Max. Length)					
B		Aluminum					
C		Copper					
Code		Additional Options					
N		No Options					
W		Leadwire Options					
513	M					Enter Desired Part Number Here	
513	M	P2B	3S	0120	A	W	Example Part Number

**Sensitive Length = L - 4"**

See Leadwire Configuration Section for Lead Options		
Typical Catalog number with leadwire options.		
513MP2B3S115AW	/	670000A004A
Catalog Number		Leadwire Option Code