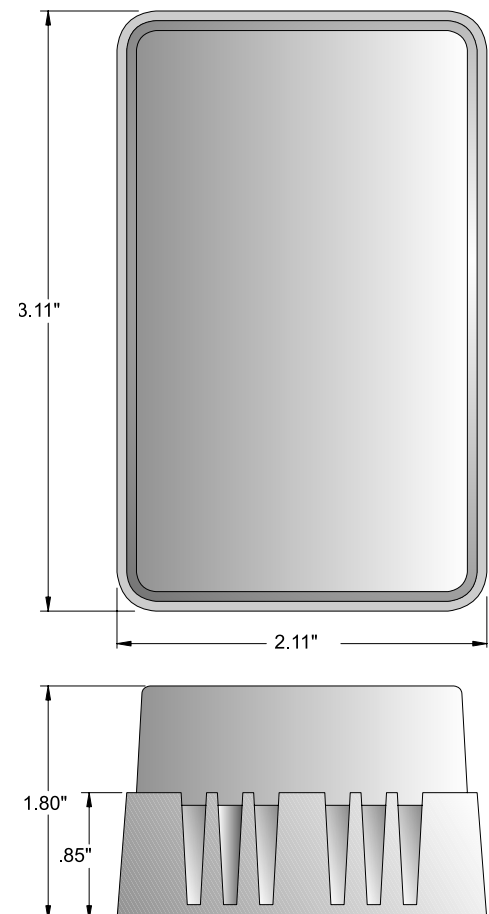


HVAC Rtd's Class 516 – Moderate Temp Wall Mount Rtd

516 Wall Mount Rtd					
Code		Temperature Range			
M		Moderate Temp Range = -50 to 250°C (-58 to 482°F)			
Code		Accuracy Options			
P2A		Platinum, 100 Ohms ±.06%, .00385 temperature coefficient			
P2B		Platinum, 100 Ohms ±.12%, .00385 temperature coefficient			
P2C		Platinum, 100 Ohms ±.5%, .00385 temperature coefficient			
Code		Element Configuration			
2S		Two Wire Single (color code: red/white)			
3S		Three Wire Single (color code: red(2)/white)			
Code		Additional Options			
N		No Options			
T		Transmitter Options			
W		Leadwire Options			
516	M				Enter Desired Part Number Here
516	M	P2B	3S	T	Example Part Number

See Transmitter Configuration Section for Transmitter Options		
Typical Catalog number with transmitter options.		
516MP2B3ST	/	675N000P150C 1
Catalog Number		Transmitter Option Code

Mounting and Terminal Block Included.



HVAC